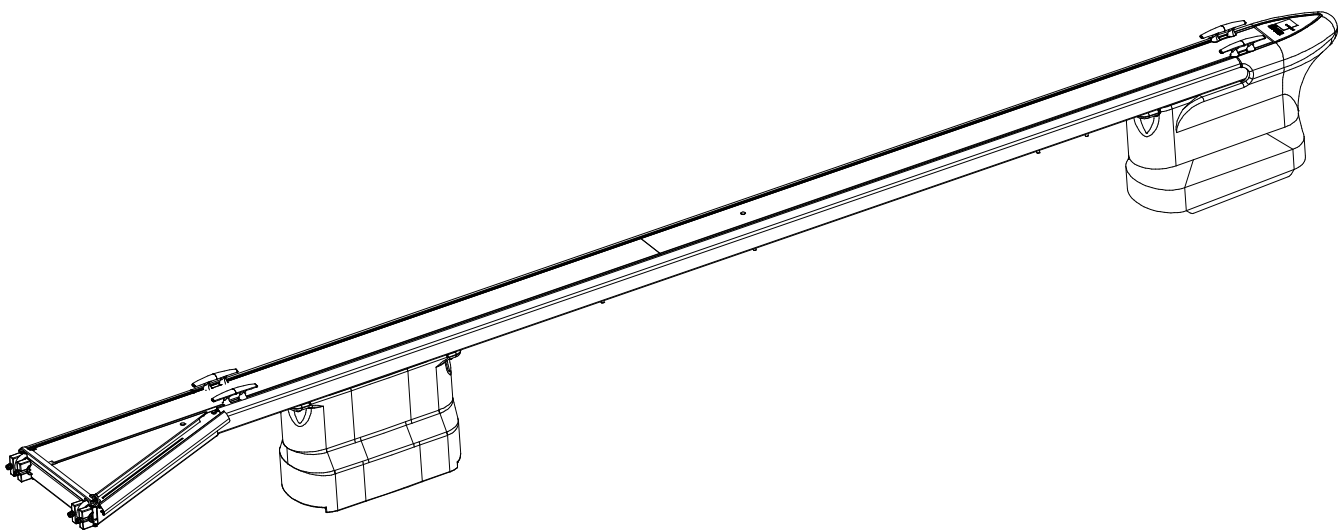
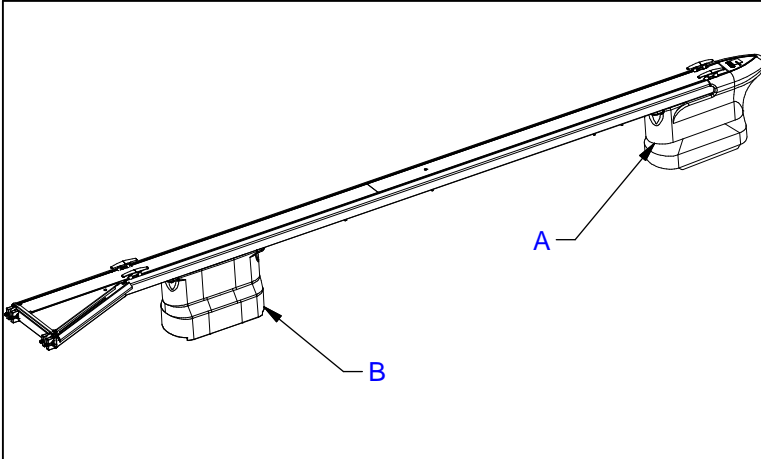


Finger

Assembly of floats at walkable boom.





Necessary equipment:

Prestressing factor:

M12 =

M16 =



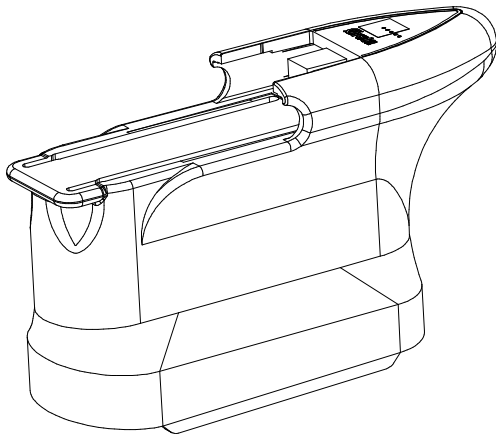
Spanner for: M12 (19mm)

Spanner for: M16 (24mm)

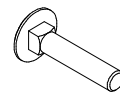
NB!

- Do not tighten until deformation of any steel or plastic parts.
- Do not put the steel construction directly at the ground to prevent damage at the surface.

PARTS for: A



Item 1 x 1
Float
Art. nr. 5001128



Item 2 x 2
Locking bolt M12x60 - DIN603 VZ
Art. nr. 4212060

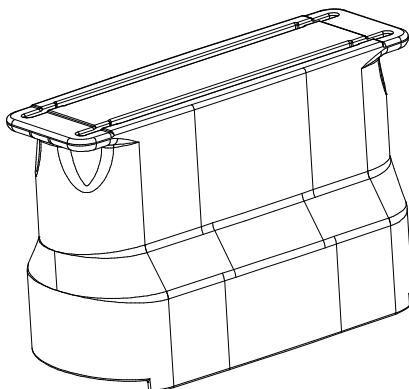


Item 3 x 2
Nut M12 - DIN985 VZ
Art. nr. 4912012

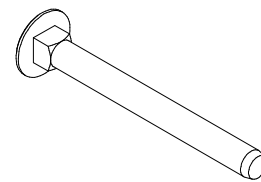


Item 4 x 2
Square Washer M12 - DIN436 VZ
Art. nr. 4812004

PARTS for: B



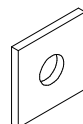
Item 6 x 1
Float
Art. nr. 5001127



Item 7 x 4
Locking bolt M16x160 - DIN603 VZ
Art. nr. 4216160

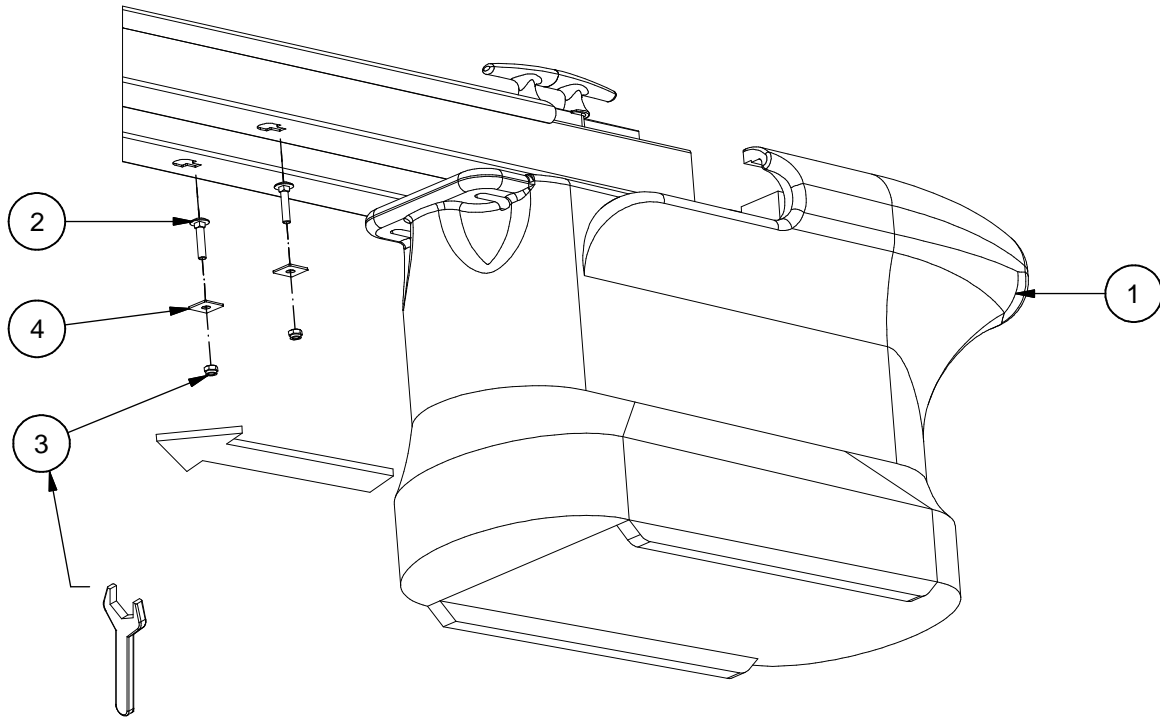


Item 8 x 4
Nut M16 - DIN985 VZ
Art. nr. 4912016



Item 9 x 4
Square Washer M16 - DIN436 VZ
Art. nr. 4816004

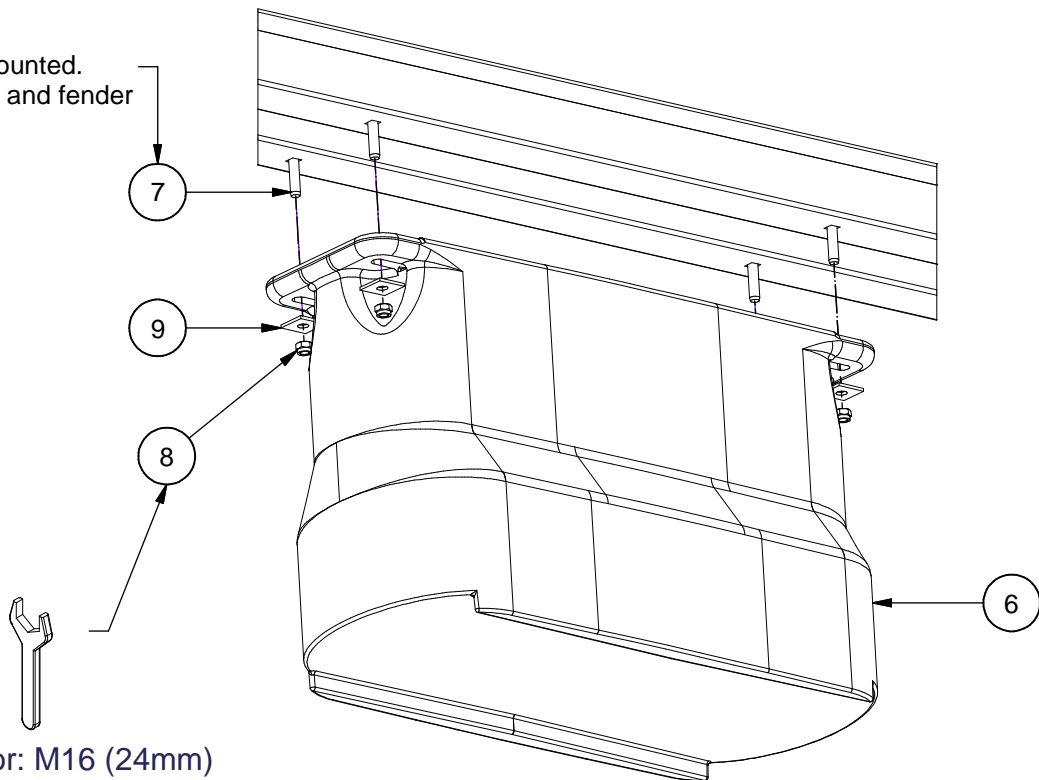
A End float



Spanner for: M12 (19mm)

B Extra float

M16 Bolts are pre-mounted.
(If not, wood decking and fender has to be removed)



Spanner for: M16 (24mm)