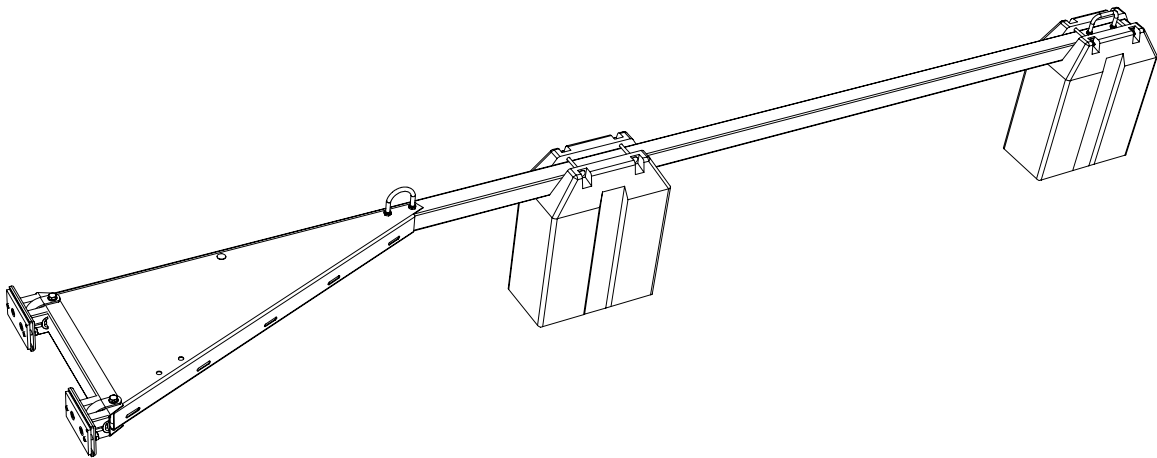
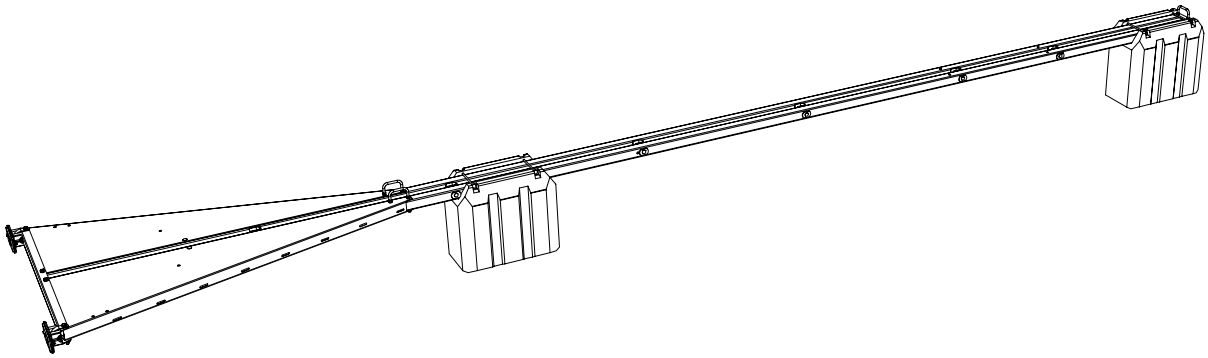
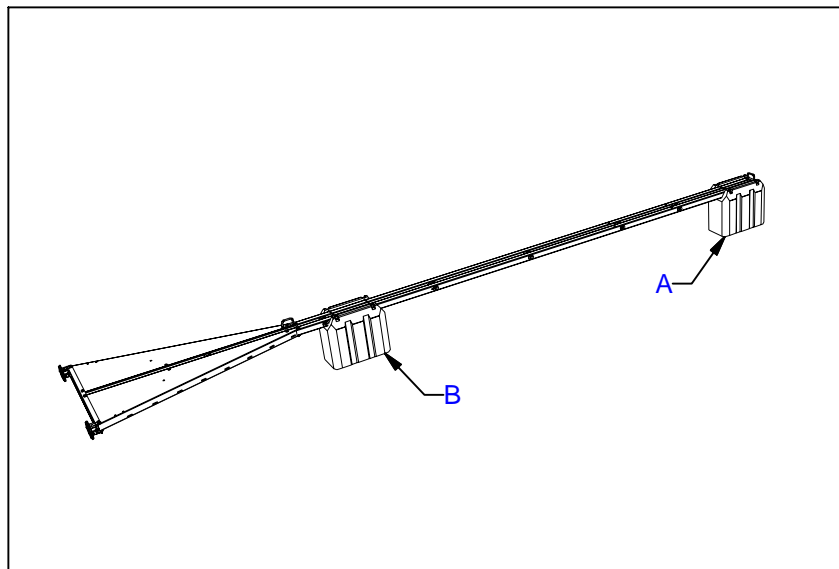


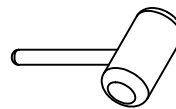
Finger

Assembly of floats at mooring finger.





Necessary equipment:



Club



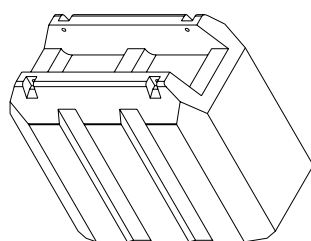
Spanner for: M12

Prestressing factor:
M12 = 87 Nm

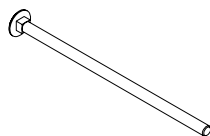
NB!

- Do not tighten until deformation of any steel or plastic parts.
- Do not put the steel construction directly at the ground to prevent damage at the surface.

PARTS



Item 1
Float



Item 2
Locking bolt



Item 3
Hex. nut



Item 5
End plug



Item 4
Square Washer

Single mooring fingers

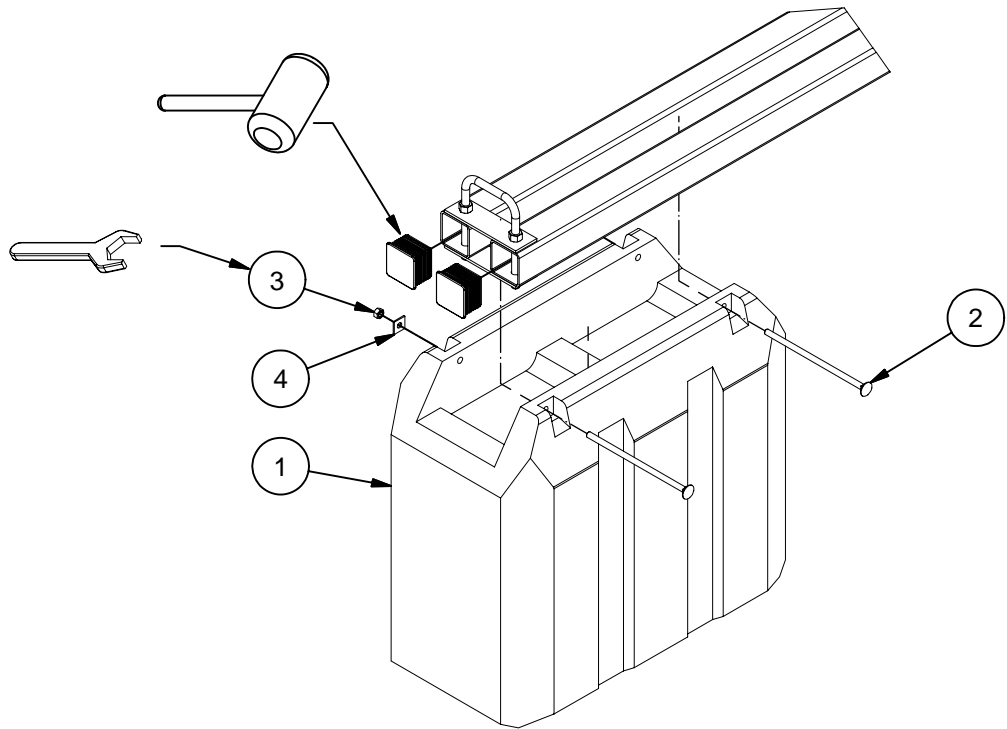
| Article | Item no. 1 | Item no. 2 | Item no. 3 | Item no. 4 |
|-------------------|----------------|-----------------------------|---------------------------|--------------------------------------|
| 500324C 4,15 m | 1 x Float 80 l | 2 x DIN 603 VZ M12 x 150 | 2 x DIN 934 8.8 VZ M12 | 2 x DIN 436 VZ Square Washer 12mm |
| 500325C 5,15 m | 1 x Float 80 l | 2 x DIN 603 VZ M12 x 150 | 2 x DIN 934 8.8 VZ M12 | 2 x DIN 436 VZ Square Washer 12mm |
| 500326C 6,15 m | 1 x Float 80 l | 2 x DIN 603 VZ M12 x 150 | 2 x DIN 934 8.8 VZ M12 | 2 x DIN 436 VZ Square Washer 12mm |

Double mooring fingers

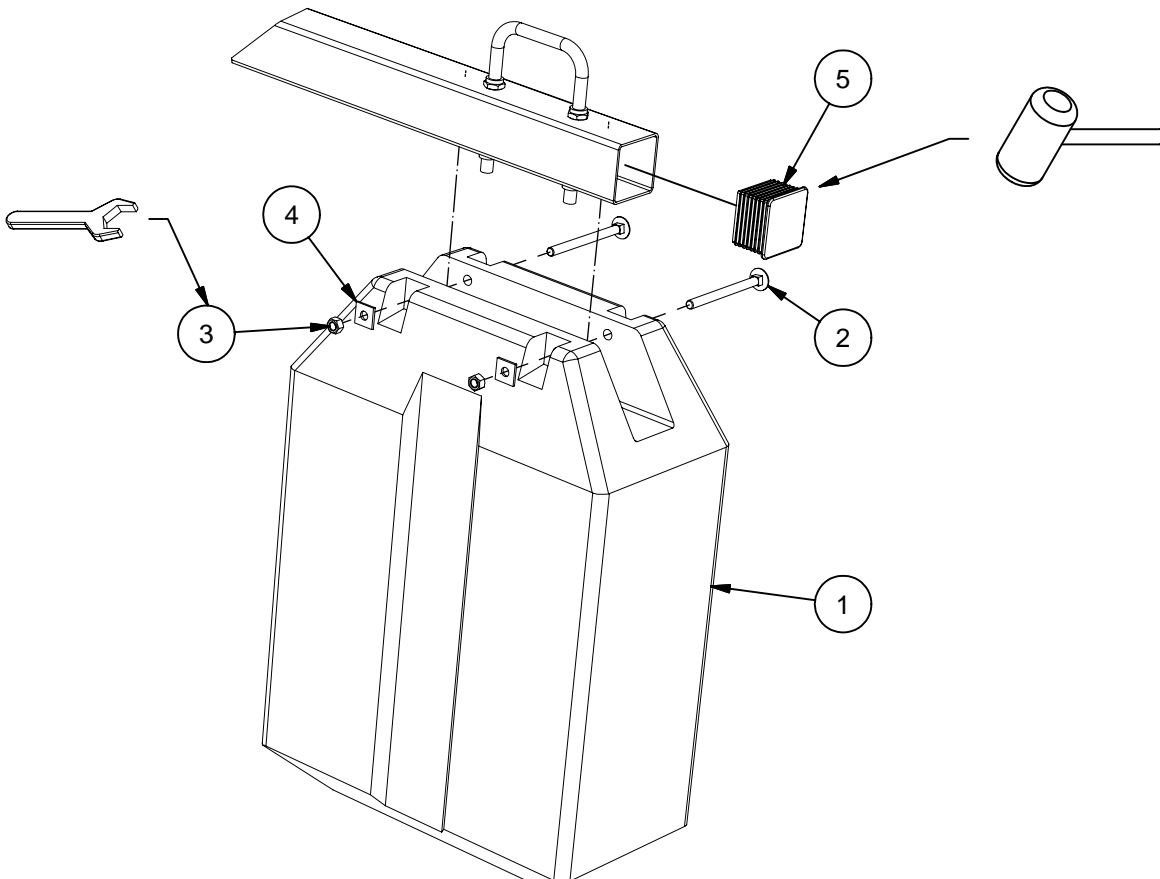
| Article | Item no. 1 | Item no. 2 | Item no. 3 | Item no. 4 |
|--------------------|-----------------|-----------------------------|---------------------------|--------------------------------------|
| 500666C 6,15 m | 1 x Float 140 l | 2 x DIN 603 VZ M12 x 180 | 2 x DIN 934 8.8 VZ M12 | 2 x DIN 436 VZ Square Washer 12mm |
| 500676C 7,15 m | 1 x Float 140 l | 2 x DIN 603 VZ M12 x 180 | 2 x DIN 934 8.8 VZ M12 | 2 x DIN 436 VZ Square Washer 12mm |
| 500686C 8,15 m | 1 x Float 140 l | 2 x DIN 603 VZ M12 x 180 | 2 x DIN 934 8.8 VZ M12 | 2 x DIN 436 VZ Square Washer 12mm |
| 500696C 10,15 m | 1 x Float 190 l | 2 x DIN 603 VZ M12 x 210 | 2 x DIN 934 8.8 VZ M12 | 2 x DIN 436 VZ Square Washer 12mm |

A End float

End float at double mooring finger

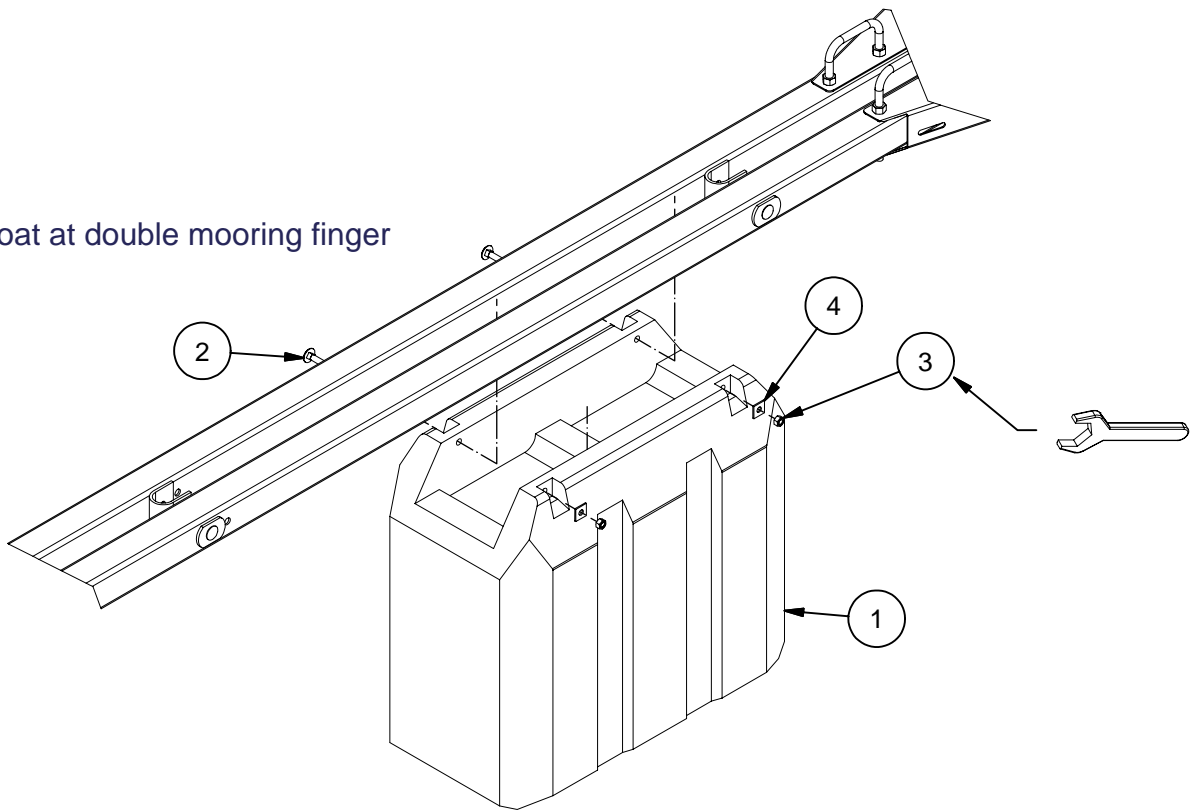


End float at single mooring finger



B Extra float

Extra float at double mooring finger



Extra float at single mooring finger

