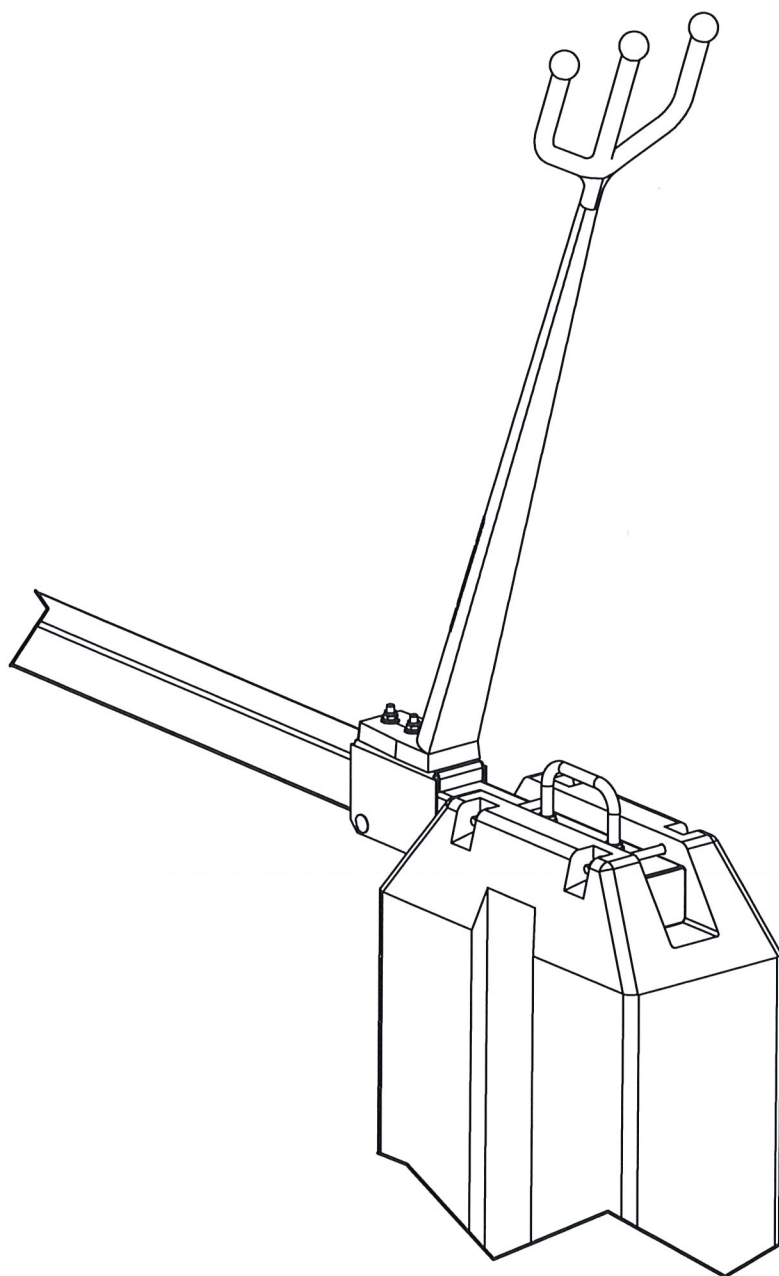


Neptune's trident Large

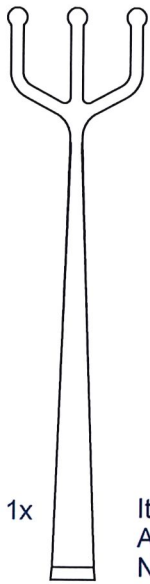
Installation of Neptune's trident for singel mooring finger



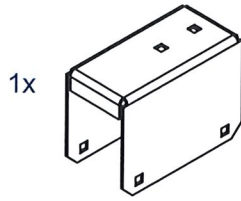
Neptune's trident, large

Installation of Neptune's trident for singel mooring finger

PARTS: Art. No. 500 1715



1x Item 1
Art. No. 500 1710
Neptune's Trident large



1x Item 2
Art. No. 500 1712CC
Bracket for singel mooring Finger

Items to be delivered
in plastic bag.

Item 3, 2x

Art. No. 4210110
M10 x 110 - DIN 603

Item 4, 2x

Art. No. 4210050
M10 x 50 - DIN 603

Item 5, 2x

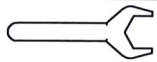
Art. No. 4810004
M10 - Square washer

Item 6, 4x

Art. No. 4600614
M10 - DIN 985 A4

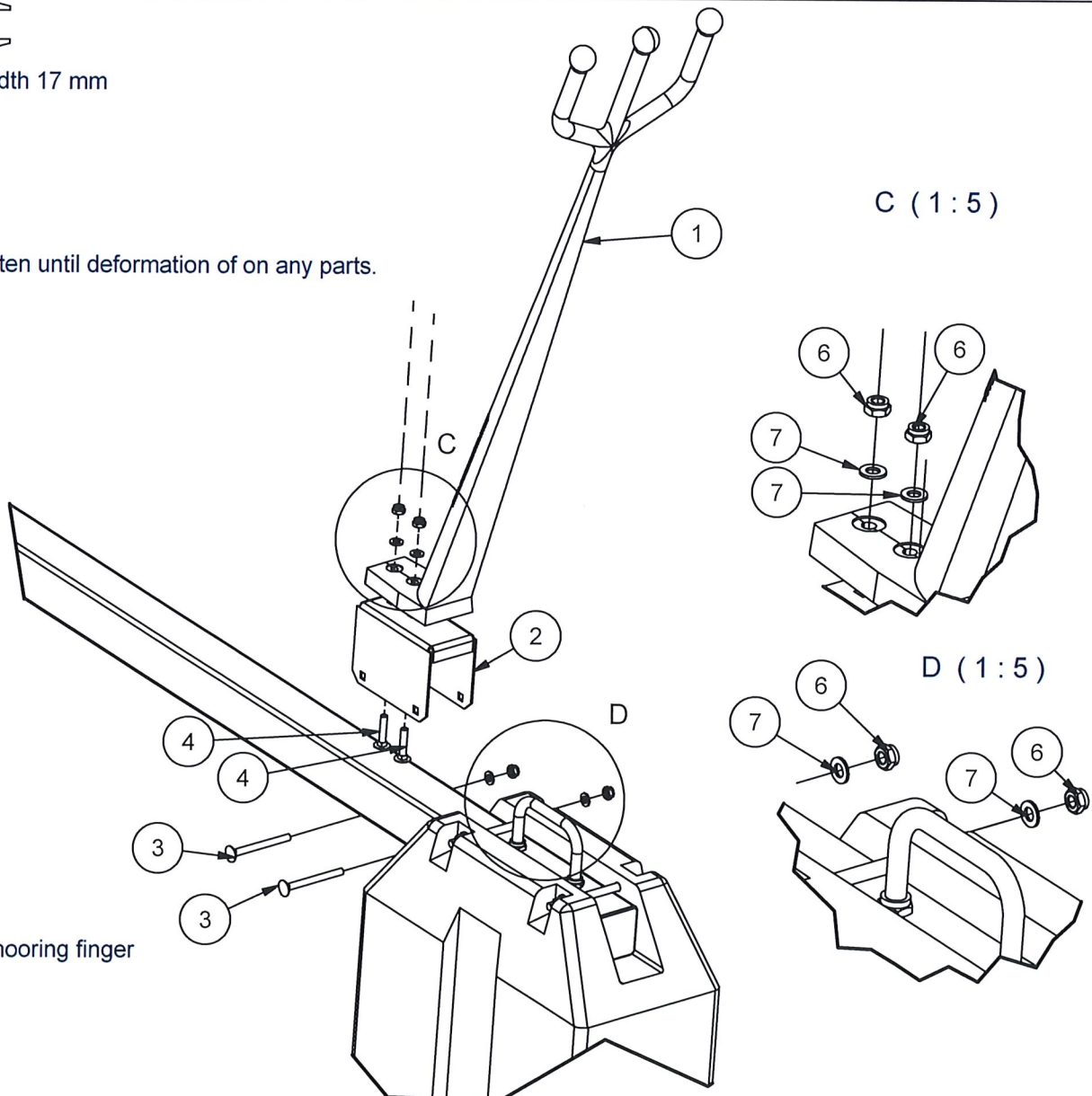
Item 7, 2x

Art. No. 4810001
RUND SKIVE M10 VZN



Spannerwidth 17 mm

NB!
-Do not tighten until deformation of on any parts.



Doc. no.: M-0821_Montering - Rev. - - Date: - Approved: x

This drawing are our property, and must not be copied, or be made available for others, without our consent