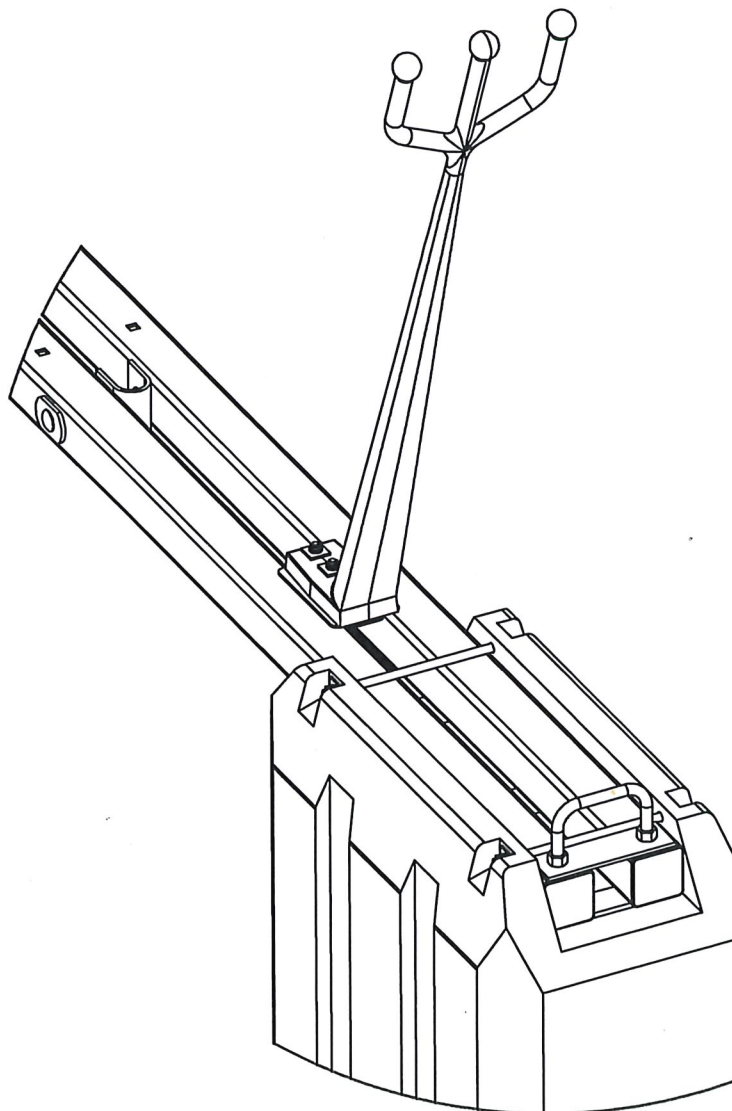
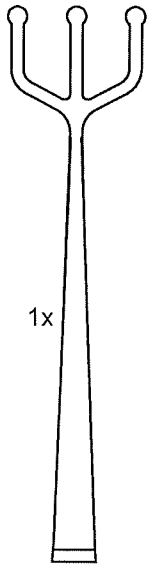


# Neptune's trident Large

Installation of Neptune's trident for double mooring finger

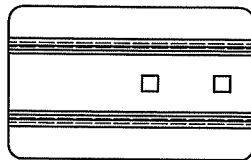
Art.nr: 5001716CC





1x

Item 1  
Art. No. 500 1710



2x

Item 2  
Art. No. 500 1711



2x

Item 3  
Art. No. 4210110  
M10 x 110 - DIN 603



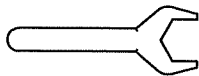
2x

Item 4  
Art. No. 4810004  
M10 - Square washer



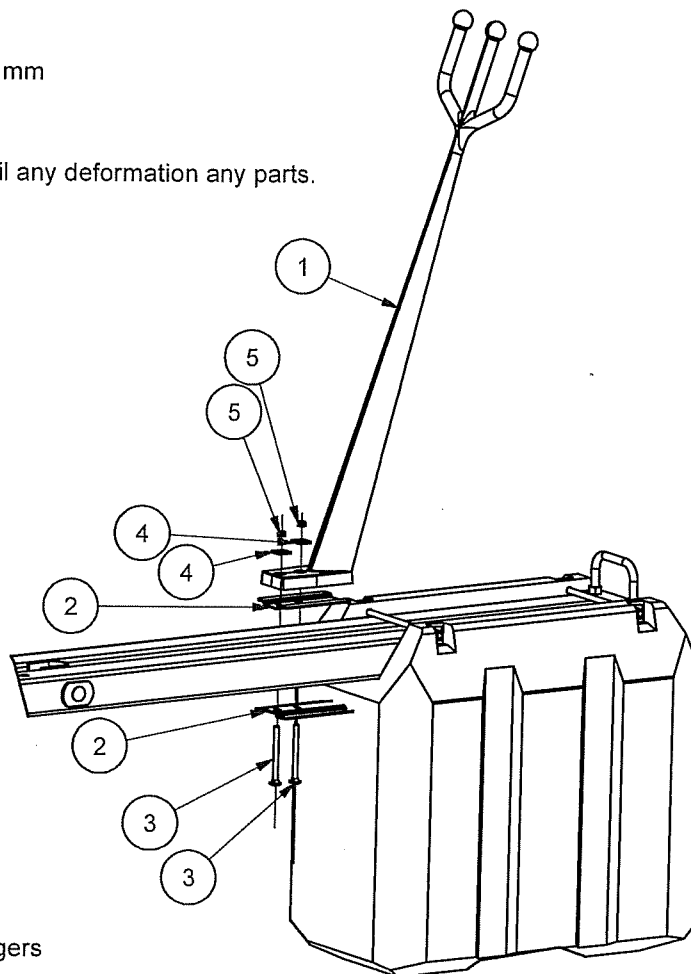
2x

Item 5  
Art. No. 4600614  
M10 - DIN 985 A4



Spanner width 17 mm

NB!  
Do not tighten until any deformation any parts.



Double mooring fingers