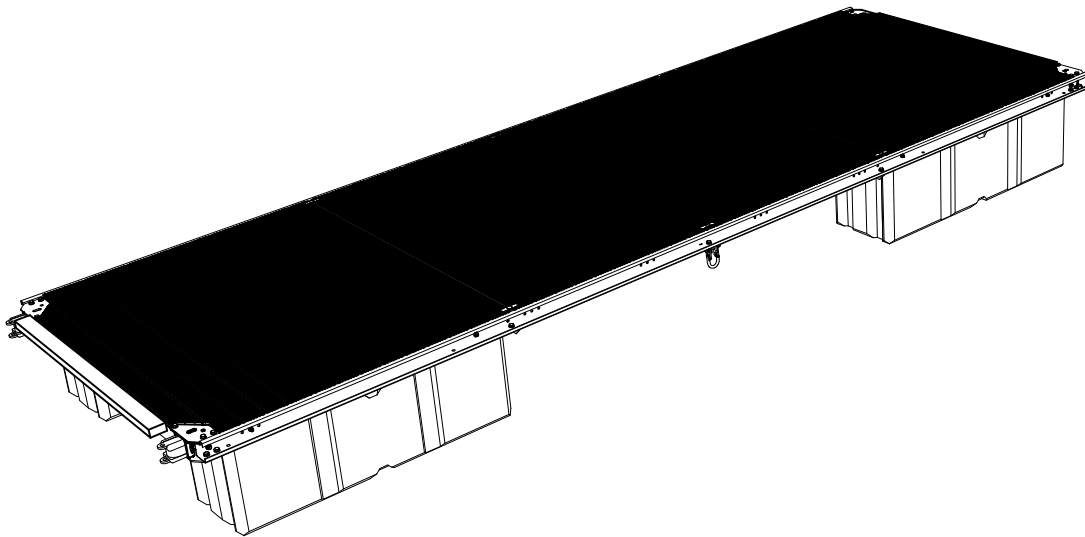
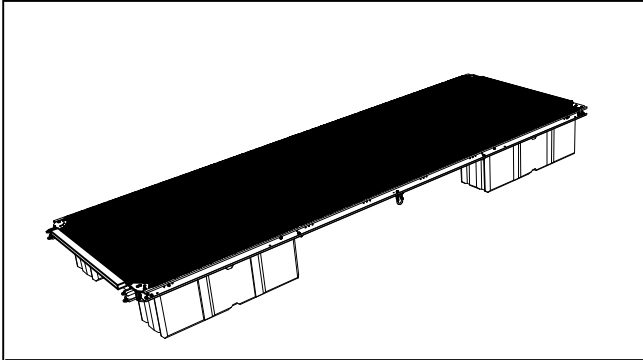


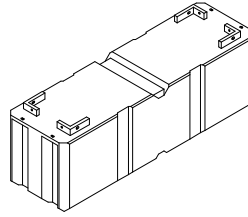
# Steel Pontoons

## Assembly of extra float.

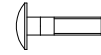




## PARTS



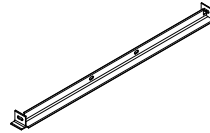
Item 1 x 1  
Float



Item 3 x 4  
M12 x 50 DIN 603 VZ



Item 4 x 4  
12mm DIN 125 VZ

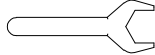


Item 2 x 1  
Mounting bracket



Item 5 x 4  
M12 DIN 934 VZ

Necessary equipment:



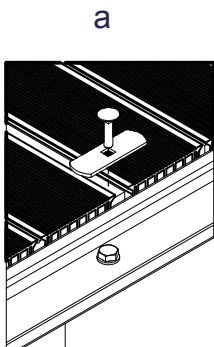
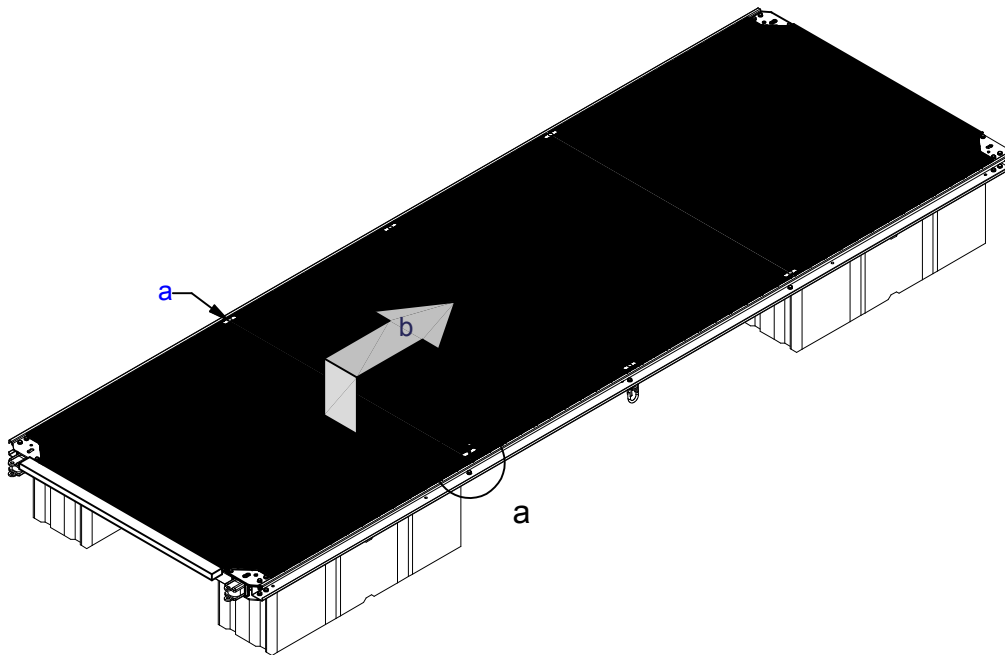
Spanner for M12

Prestressing factor:  
M12 = 87 Nm

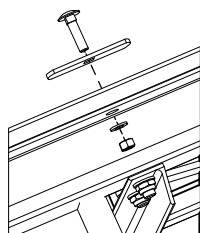
### NB!

- Do not tighten until deformation of any steel or plastic parts.
- Do not put the steel construction directly at the ground to prevent damage at the surface.

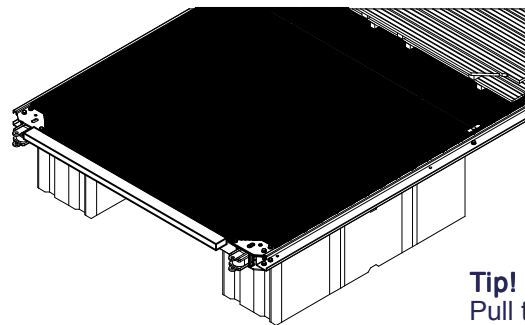
## Step 1



a from below

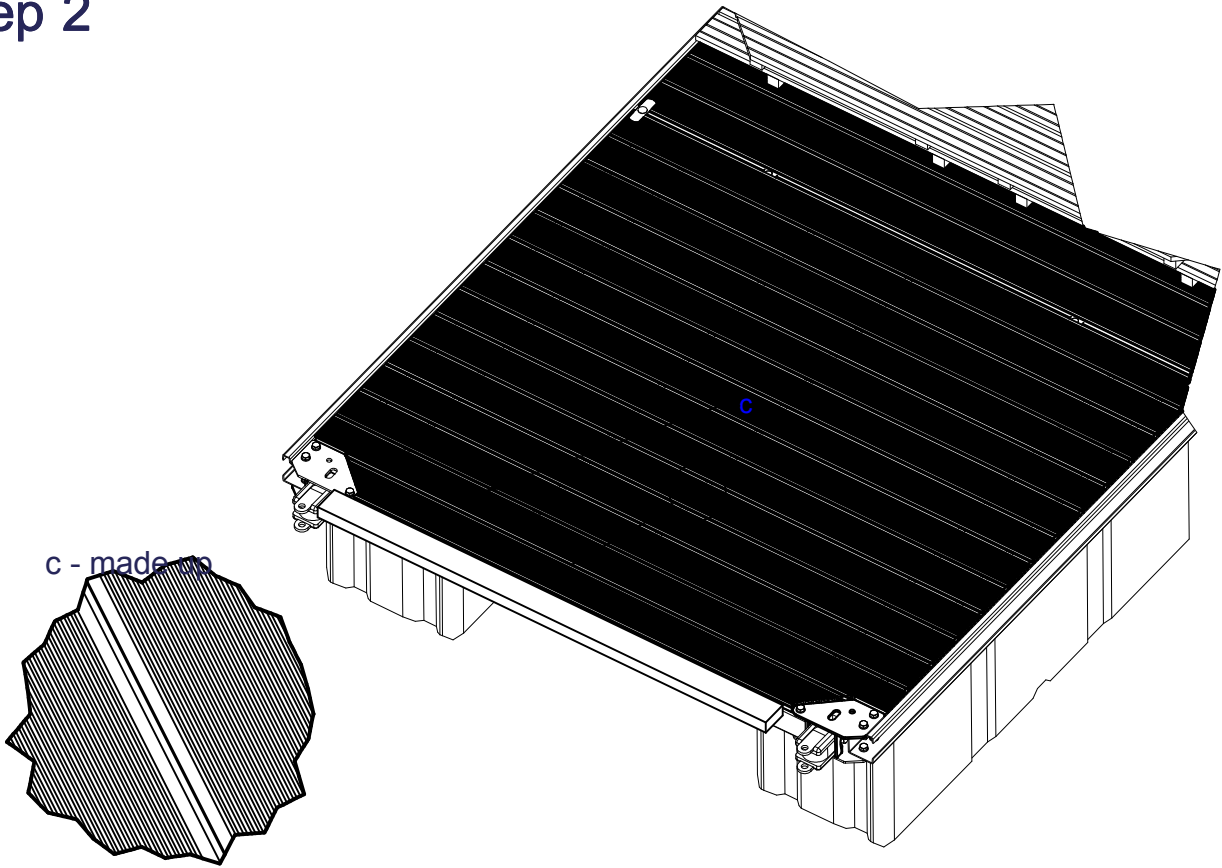


b- removed decking

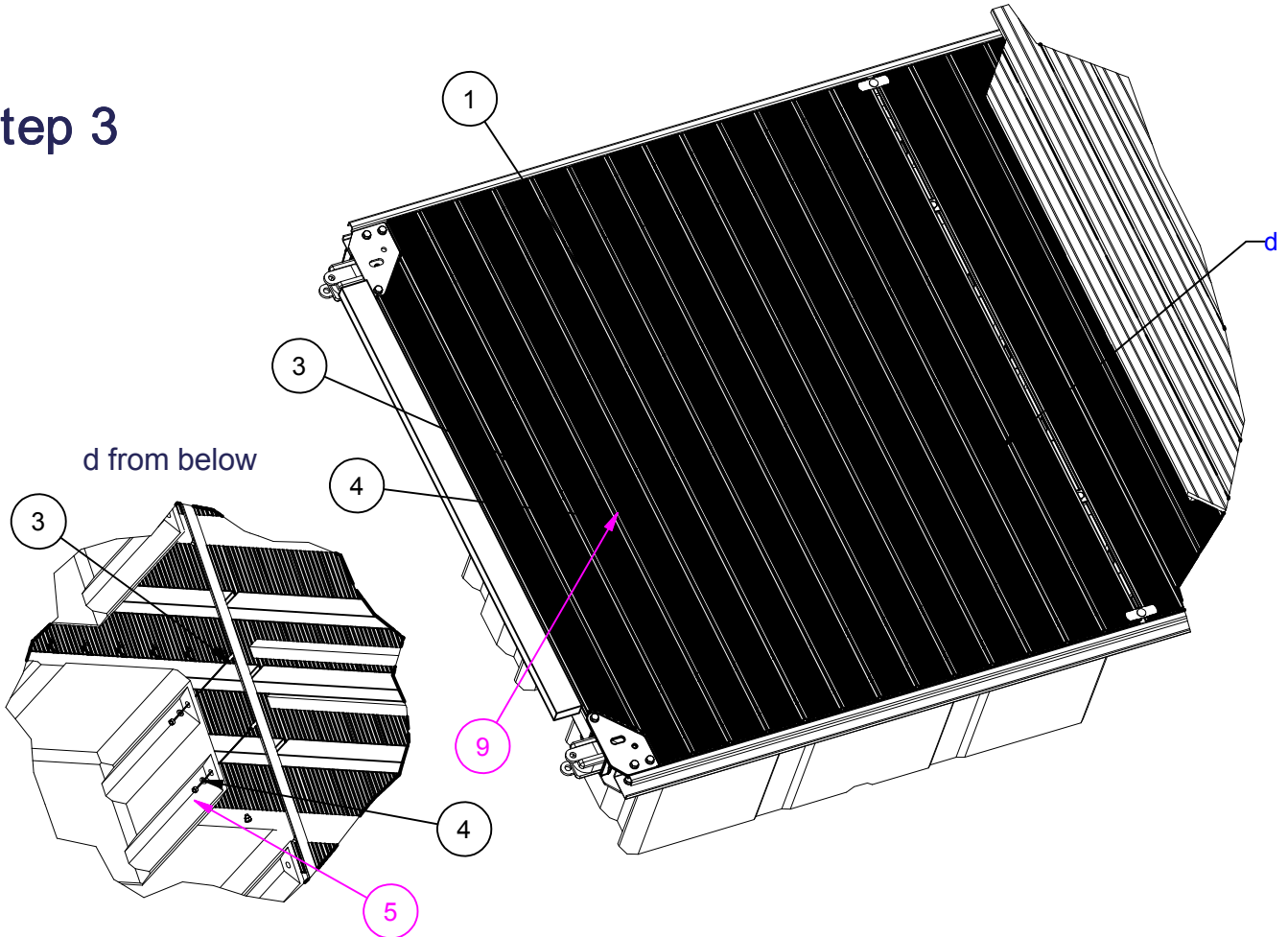


**Tip!**  
Pull the pine decking towards the top of the center deckin.

## Step 2



## Step 3



## Step 4

Remount the decking.

