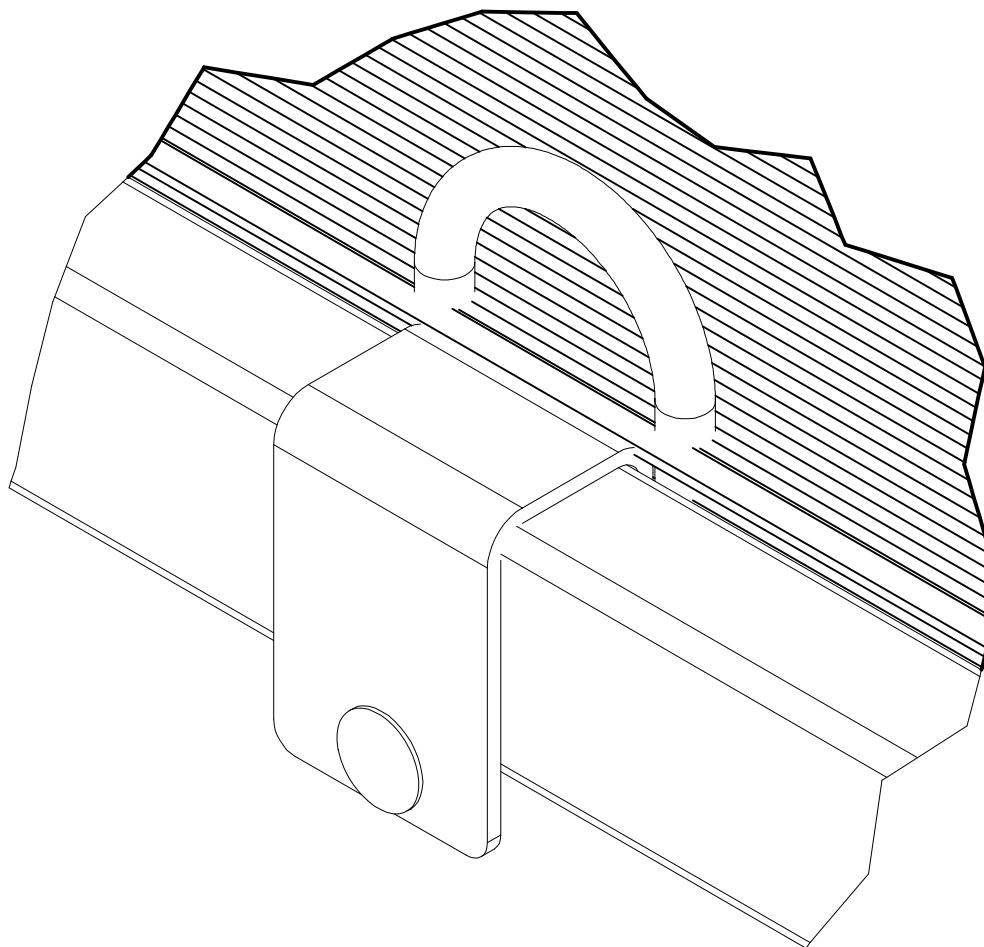
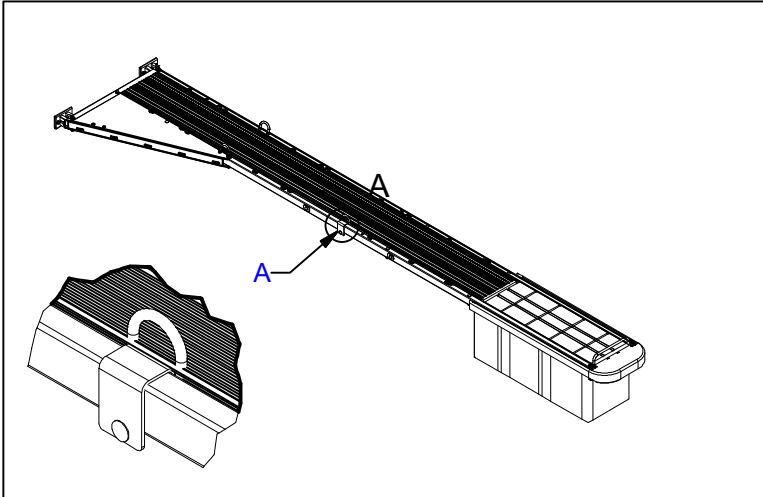


Finger

Assembly of extra mooring eye.

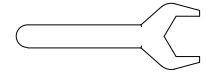




Necessary equipment:

Prestressing factor:

M12 = 87 Nm



19 mm spanner

NB!

- Do not tighten until deformation of any steel or plastic parts.

- Do not put the steel construction directly at the ground to prevent damage at the surface.

